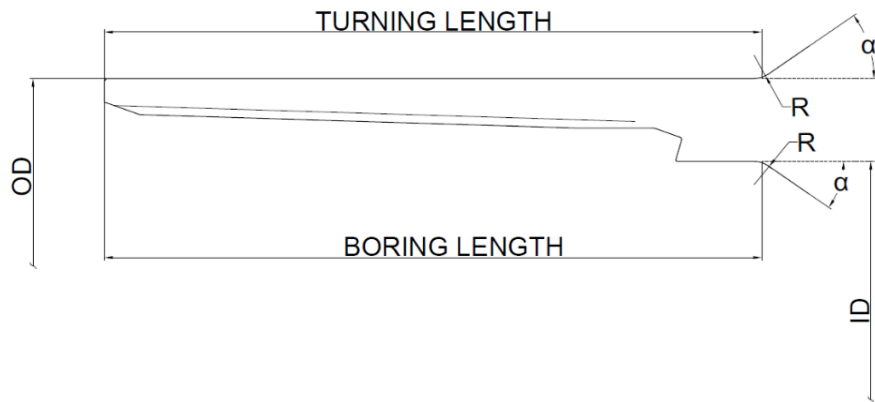


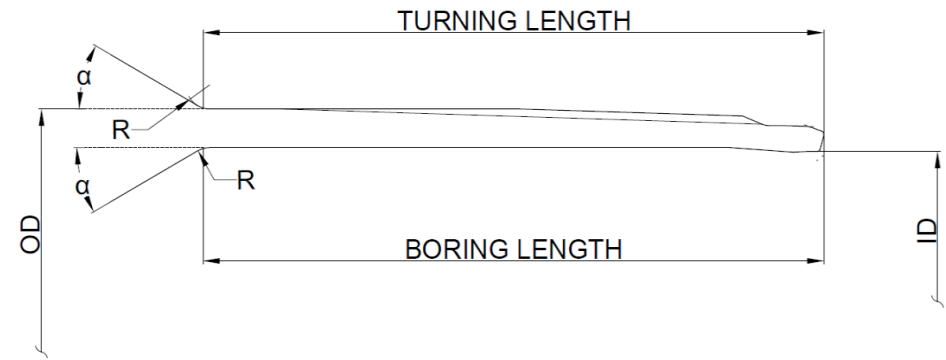
**3½ in 9.2 lb/ft**

Clearance: Standard

Label	Pin/Box	OD [mm]	ID [mm]	Min. Turning Length [mm]	Min. Boring Length [mm]	OD [in]	ID [in]	Min. Turning Length [in]	Min. Boring Length [in]
3½ in 9.2 lb/ft	BOX	99.80 ± 0.50	74.20 ± 0.20	93.50	93.50	3.929 ± 0.020	2.921 ± 0.008	3.681	3.681
	PIN	88.90 ± 0.79	74.87 ± 0.20	103.20	103.20	3.500 ± 0.031	2.948 ± 0.008	4.063	4.063



**BOX**



**PIN**

$R_{\min} = 20 \text{ mm} = 0.79 \text{ in}$

$\alpha_{\min} = 30^\circ$



[www.sentinelconnections.com](http://www.sentinelconnections.com)

PCBD-SENTINEL\_Prime-3.5-9.2

Date of issue (dd/mm/yyyy): 31/10/2024